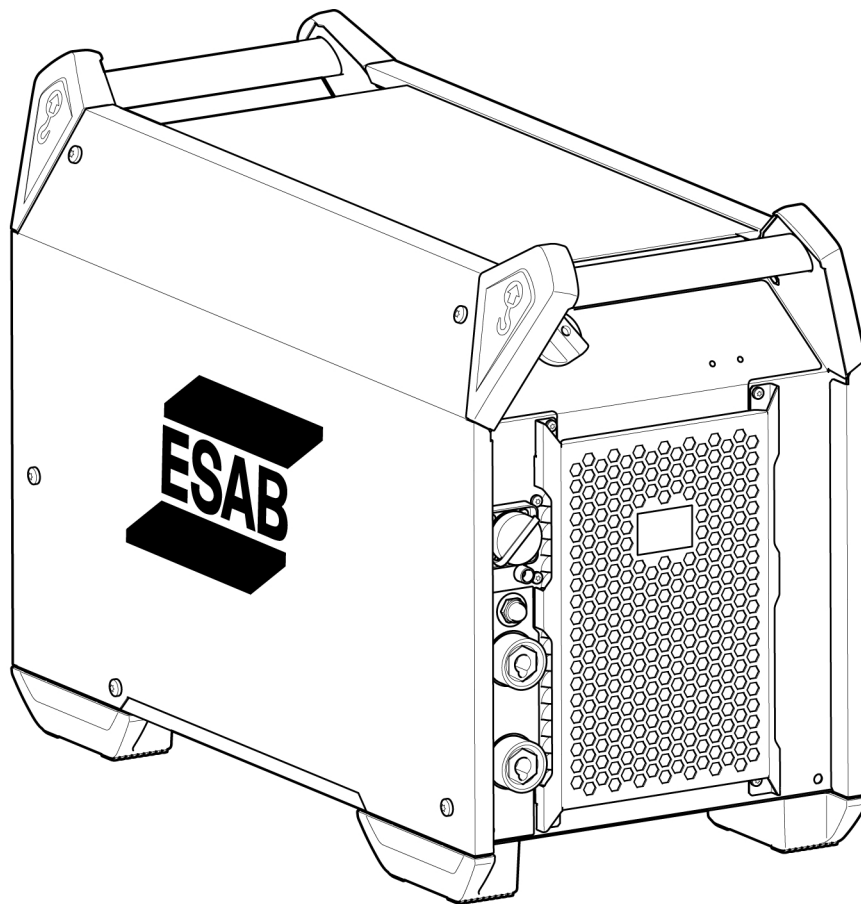




Aristo®

Aristo® 500ix



Spare parts list

Ordering no.	Product	Notes	Serial no.
0446 200 880	Aristo® 500ix	Europe, CE	OP941, OP530-xxx-xxxx

Spare parts may be ordered through your nearest ESAB dealer, see esab.com. When ordering, please state product type, serial number, denominations and ordering numbers according to the spare parts list. This facilitates dispatch and ensures correct delivery.

Maintenance and repair work should be performed by an experienced person, and electrical work only by a trained electrician. Use only recommended spare parts.

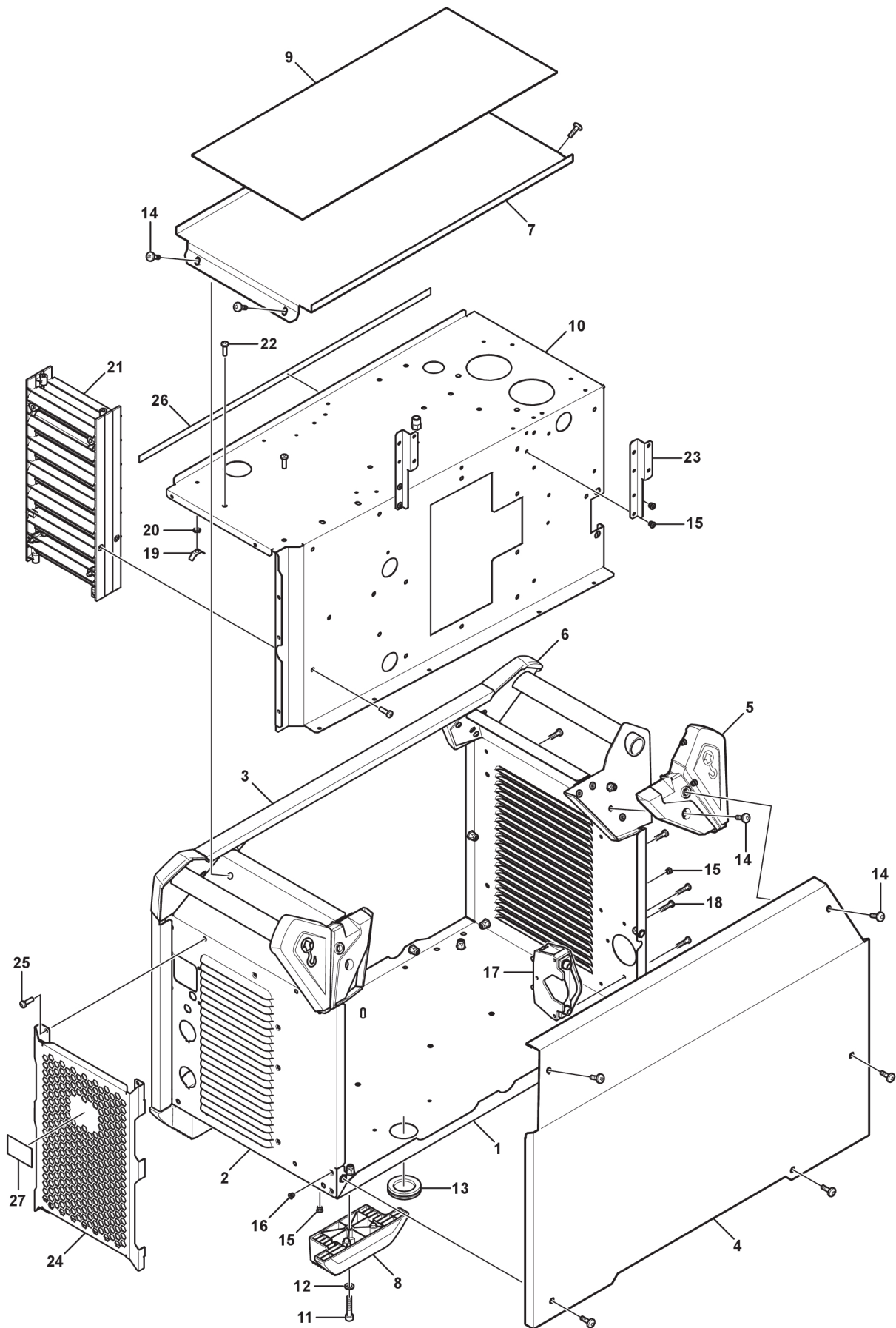
TABLE OF CONTENTS

- 1 SPARE PARTS 4**
 - 1.1 Housing module 4**
 - 1.2 Primary module 6**
 - 1.3 User interface 9**
 - 1.4 Input module 10**
 - 1.5 IPS module 11**
 - 1.6 Control module 12**
 - 1.7 Secondary connection module 14**
 - 1.8 Transformer module 16**
 - 1.9 Secondary module 17**
 - 1.10 Secondary inductor module 19**
 - 1.11 Market specific module 20**

1 SPARE PARTS

1.1 Housing module

Item	Qty	Ordering no.	Denomination	Notes	Component designation
1	1	0465 355 882	Bottom/rear	with handle	
2	1	0465 356 883	Front	with handle	
3	1	0465 375 882	Side panel	left	
4	1	0465 375 883	Side panel	right	
5	2	0465 293 001	Handle corner part		
6	2	0465 293 002	Handle corner part	mirrored	
7	1	0465 196 001	Top panel		
8	4	0465 415 001	Foot	PS1	
9	1	0465 331 001	Rubber mat		
10	1	0465 502 003	Intermediate plate		
11	4		Screw	IN6, M6×30	
12	4		Washer	BRB, 6.4 FZB	
13	1	0194 069 003	Grommet		
14	18		Screw	MRT, M16×16	
15	14		Blind rivets	D 4×8	
16	9		Blind rivet countersunk	D 4×8	
17	1	0469 950 880	Cable clamp	LHF	
18	3		Screw	rx-pt 8-16×20	
19	1		Rivet	with flat pin	
20	1		Washer		
21	1	0465 367 880	Louver	front IP, Assembly	
22	3		Screw	remfrom torx, 5×16	
23	2	0465 643 002	Power PCB bracket		
24	1	0446 223 001	Louver plate		
25	4		Screw	MRT, M4×8	
26	1		Sealing strip	L > 0.545	
27	1		Logo decal		



1.2 Primary module

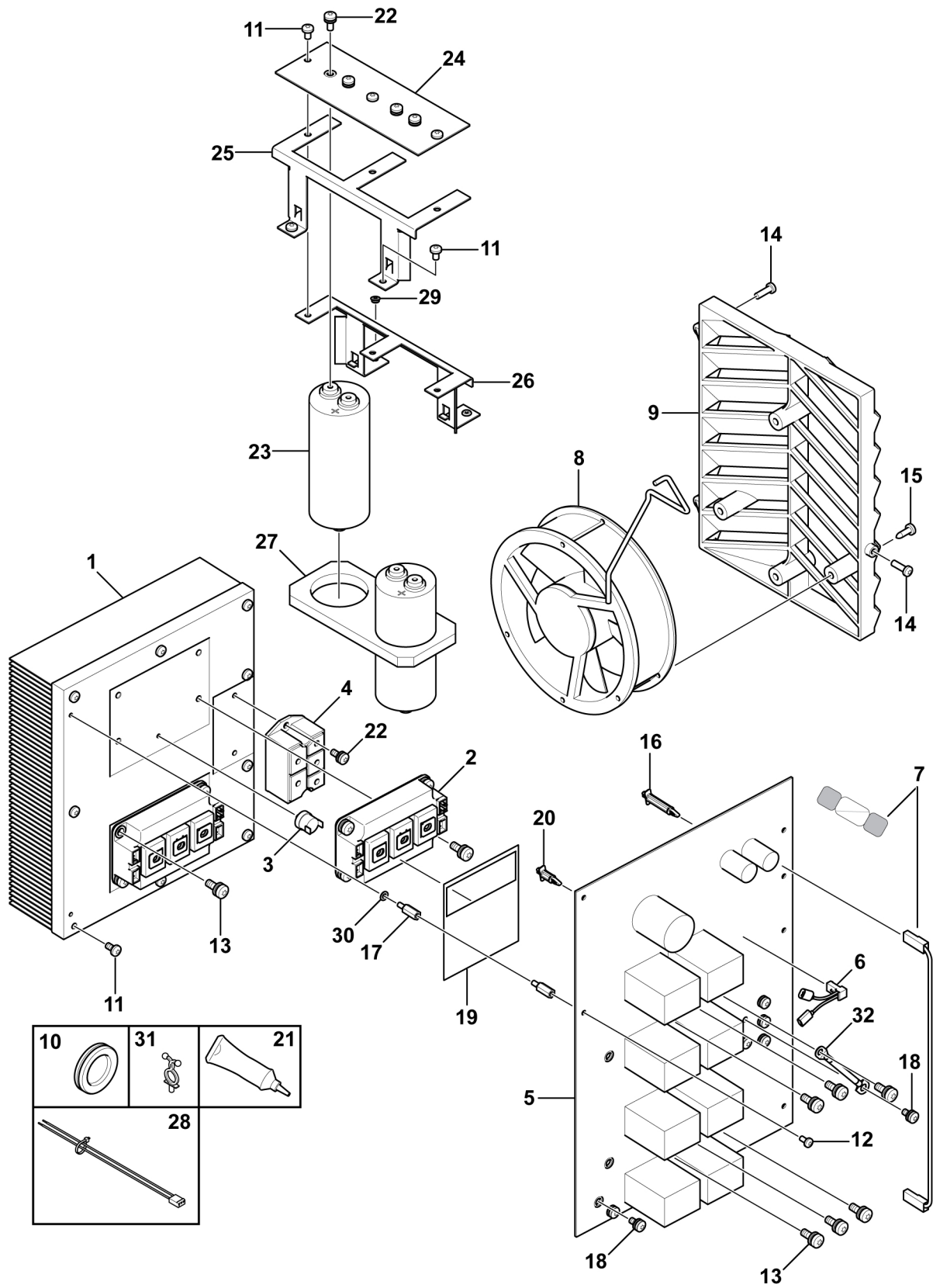
Item	Qty	Ordering no.	Denomination	Notes	Component designation
1	1	0465 208 001	Heat sink primary side		
2	2		IGBT module		15PM1, 15PM2 See " <i>SPARE PARTS SETS:</i> ", page 7
3	1	0465 421 880	Thermo guard cable		
4	1		Rectifier Bridge	SKD 82/16	15BR1 See " <i>SPARE PARTS SETS:</i> ", page 7
5	1	0440 003 887	PCBA Power board		15AP1
6	1	0465 313 880	Gate drive harness	IGBT -PCB	
7	1	0464 752 720	Main voltage selection cable with fuse		
8	1	0465 344 001	Fan assembly with contact	D170	15EV1
9	1	0465 332 001	Fan louver bracket rear		
10	4	0194 069 002	Grommet	27 mm	
11	14		Screw	MRT, M5×8-8.8	
12	1		Screw	MRT, M4×8-8.8	
13	14		Screw	MRT- Combi, M6×16-8.8	
14	3		Screw	reform torx 5×16	
15	4		Screw	RTS ST, 4,8×16	
16	4	0192 790 109	Plastic tower	LCBS-18-19 28.6mm	
17	2		Spacer screw	M4×15	
18	5		Screw	MRT- Combi, M5×10-8.8	
19	1		Thermal protection insulation		
20	2		Spacer	LCBS 8R	
21	1		Thermal compound	0.002	
22	6		Screw	MRT- Combi, M5×12-8.8	
23	2	0462 178 002	Capacitor	1500 µF, 500 V	15C1, 15C2, 15C3
24	1	0440 370 881	Capacitor Board		15AP2
25	1	0446 208 001	Capacitor bracket 1		
26	1	0446 208 002	Capacitor bracket 2		
27	1	0446 174 001	Capacitor foam		

1 SPARE PARTS

Item	Qty	Ordering no.	Denomination	Notes	Component designation
28	1	0446 214 880	Capacitor harness		
29	2		Blind rivets	D4×8	
30	1		Washer	BRB, 4,3 FZB	
31	2		Cable saddle	bantam	
32	1		Harness for Warrior PCBA		

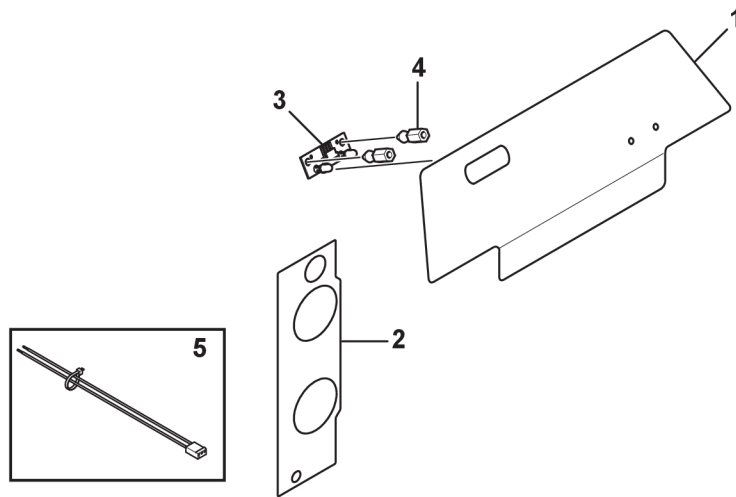
SPARE PARTS SETS:

Item	Qty.	Ordering no.	Denomination	Notes
		0464 503 880	IGBT module set	
	2		IGBT module	
	1		Thermal protection insulation	
	1		Thermal compound	
	8		Screw	M6×20
		0464 504 880	Rectifier set	
	1		Rectifier bridge	
	1		Thermal compound	
	2		Screw	M5×12



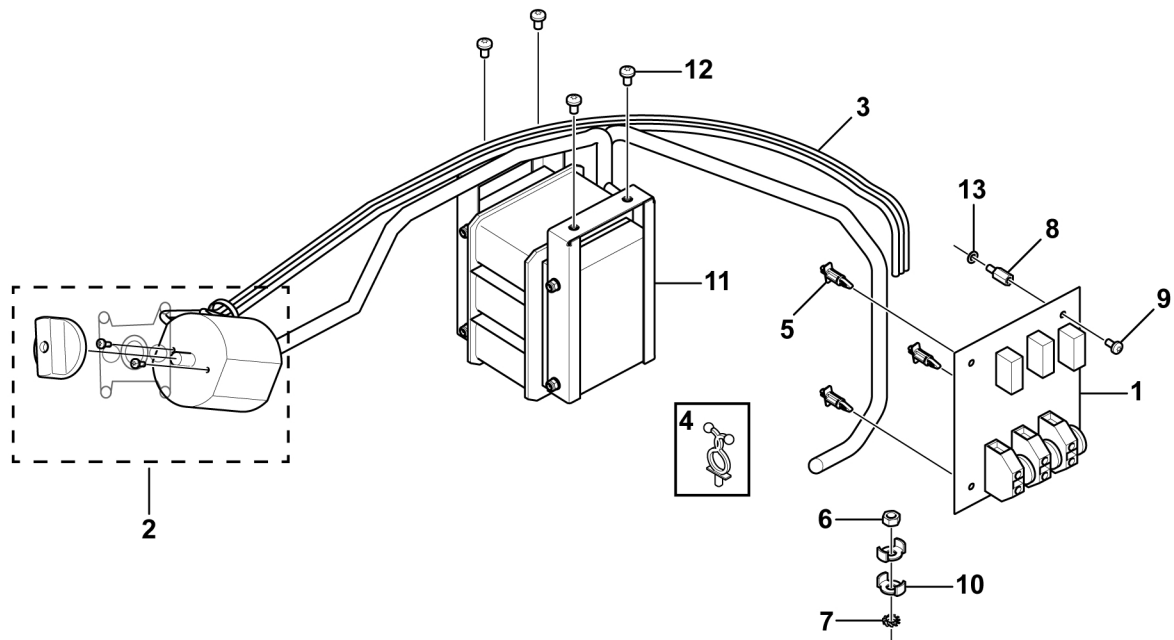
1.3 User interface

Item	Qty	Ordering no.	Denomination	Notes	Component designation
1	1	0446 226 001	Indicator overlay		
2	1	0446 227 001	OKC connector overlay		
3	1	0462 197 880	LED PC-board		
4	1		Spacer	TCBS-8R	
5	3	0446 220 880	LED harness		



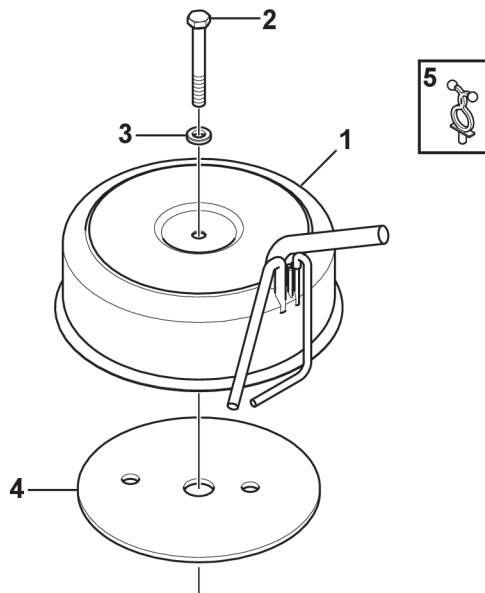
1.4 Input module

Item	Qty	Ordering no.	Denomination	Notes	Component designation
1	1	0440 018 880	Filter PCB		2AP1
2	1	A000 101 478	Main switch kit	Including items 11	2QF1
3	1	0465 318 881	Main switch harness		
4	5		Cable saddle	Bantam	
5	3		Distance	12.7mm	
6	1		Nut	M6M, M6-8.8	
7	1		Washer	AZ 6.4	
8	1		Distance	M4×12	
9	1		Screw	MRT, M4-8.8 FZB	
10	2		Washer for cable	KB 6.5	
12	1	0460 118 002	Primary inductor	40 V 60%	2L4
13	4		Screw	MRT, M5×8-8.8	
14	1		Washer	BRB 4.3	



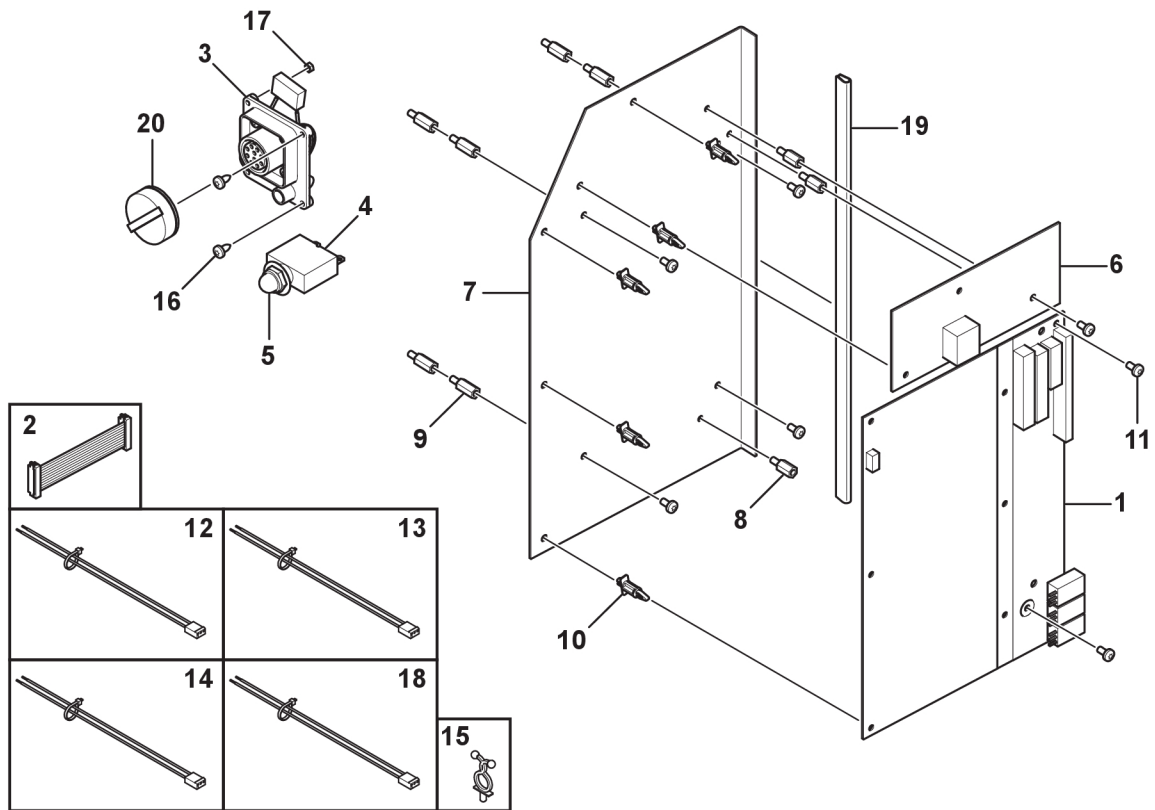
1.5 IPS module

Item	Qty	Ordering no.	Denomination	Notes	Component designation
1	1	0465 323 001	Auxiliary transformer	including insulation, washer and cable	2T1
2	1		Screw	M6S, M8×65-8.8 FZB	
3	1		Washer	TBRB, D16/8.4×3	
4	1		Bracket auy. transformer		
5	3		Cable saddle		



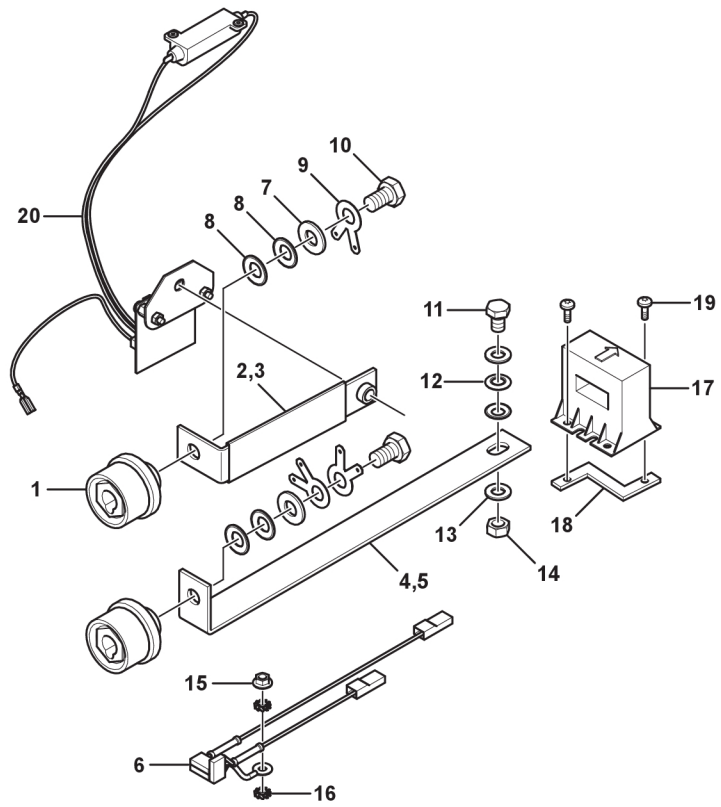
1.6 Control module

Item	Qty	Ordering no.	Denomination	Notes	Component designation
1	1	0487 712 889	PC-Board	Aristo® ImPulse 4004i	20AP1
2	1	0465 329 880	Flat cable	20-pol	
3	1	0465 096 884	Chassi connector incl. cabl.		
4	1	0193 586 102	Push button Cbrc. breaker	10A	
5	1	0455 376 001	Cover LAW		
6	1	0440 365 880	Interface board		24AP1
7	1	0446 182 001	Mounting bracket		
8	4	0394 516 019	Spacer screw	M4×12	
9	8	0394 516 020	Spacer screw	M4×15	
10	4	0192 790 104	Spacer	12.7 mm	
11	7		Screw	MRT, M4×8	
12	1		Intermediate harness		
13	1		Gate harness		
14	1		Power harness		
15	3		Cable saddle		
16	2		Screw	RTS, ST4.2X×9.5	
17	2		Nut	Steel, 8.8 M4	
18	1	0446 238 880	Current sensor harness		
19	1		Plastic Profile	0.34, SP 76	
20	1	0455 516 001	Protection cap		



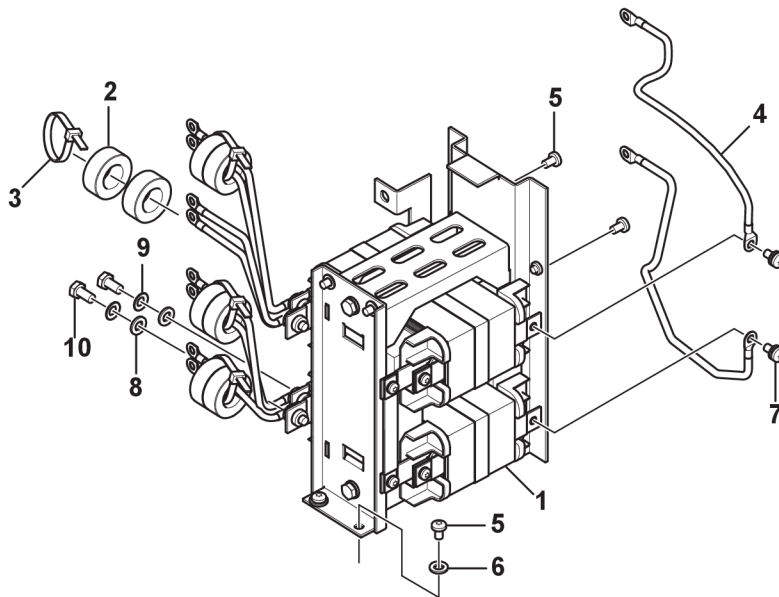
1.7 Secondary connection module

Item	Qty	Ordering no.	Denomination	Notes	Component designation
1	2	0160 362 881	OKC 50 cable connection	female	
2	1	0465 309 001	Rail sec inductor - OKC		
3	1		Nut clinching	M8	
4	1	0465 307 001	Rail diodes	OKC	
5			Insulation rail sec ind.	OKC, 0.09	
6	1	0463 082 880	Capacitor complete		
7	2		Washer	BRB, 10.5	
8	4		Cup spring	M10	
9	2		Flat pin connector	M10, 6.3×0.8 (2 pin)	
10	2		Screw	M6S, M10×20-8.8	
11	1		Screw	M6S, M8×16-8.8	
12	2		Cup spring	M8	
13	2		Washer	BRB, 8.4	
14	1		Nut	M8	
15	1		Nut	M6MF, M5-8.8	
16	2		Washer	AZ, 5.3	
17	1	0458 063 001	Current sensor		15CS1
18	1		Distance		
19	2		Screw	MRT, M4×8	
20	1	0465 606 880	VRD kit		



1.8 Transformer module

Item	Qty	Ordering no.	Denomination	Notes	Component designation
1	1	0465 302 880	Transformer Complete		15T1
2	8	0455 569 006	Ferrite ring core		2L1, 2L2, 2L3
3	4		Cable tie		
4	1		Secondary rectifier harness	Transformer to diodes	
5	4		Screw	MRT, M5×8-8.8	
6	2		Washer	BRB 5.3	
7	4		Screw	MRT-Combi, M5×10-8.8	
8	4		Washer	BRB, 6.4	
9	4		Spring Washer	D11.8/6.1	
10	4		Screw	M6S, M6×12	

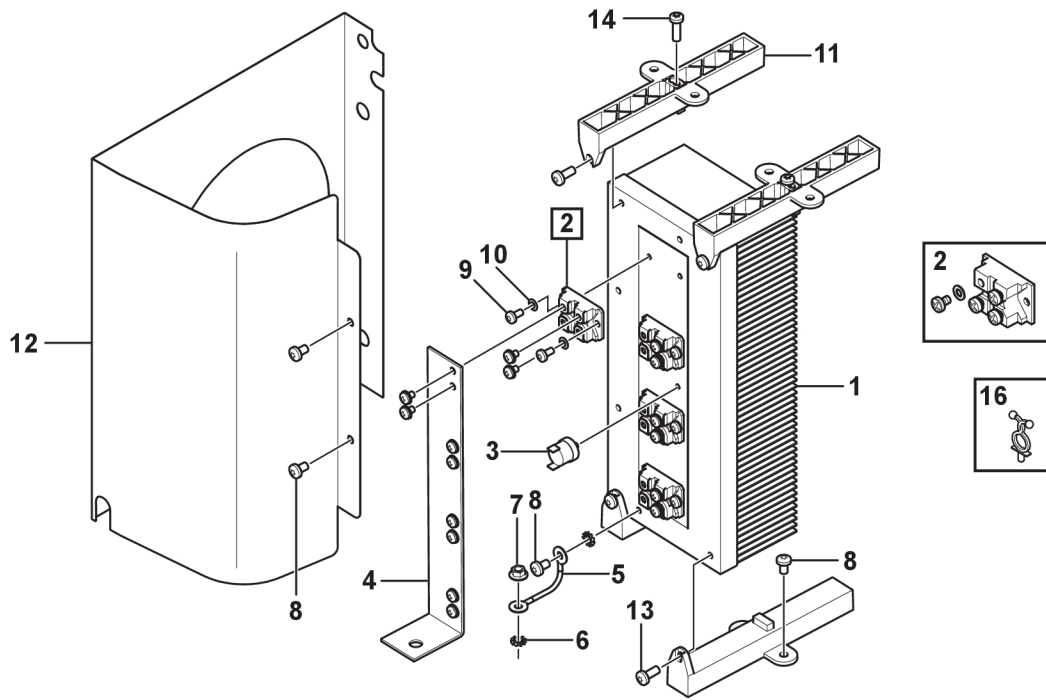


1.9 Secondary module

Item	Qty	Ordering no.	Denomination	Notes	Component designation
1	1	0465 208 004	Heat sink	Secondary side	
2	4		Diode	400V/2×140A, Including screws	See " <i>SPARE PARTS SETS:</i> ", page 17
3	1	0465 421 881	Thermo protection cable		
4	1	0465 308 001	Rail to diode		
5	1	0465 320 880	Ground cable		
6	2		Washer	AZ, 5.3 M5	
7	1		Flange nut	M6MF, M5	
8	5		Screw	MRT, M5×8-8.8	
9	8		Screw	MRT M.4×8	
10	8		Cup spring	A-8-1	
11	4	0465 209 001	Heat-sink support		
12	1	0465 487 003	Air duct		
13	4		Screw	MRT, M5×12-8.8	
14	2		Screw	Remform, 5×16	
15	1		Thermal compound	0.002	
16	3		Cable saddle		

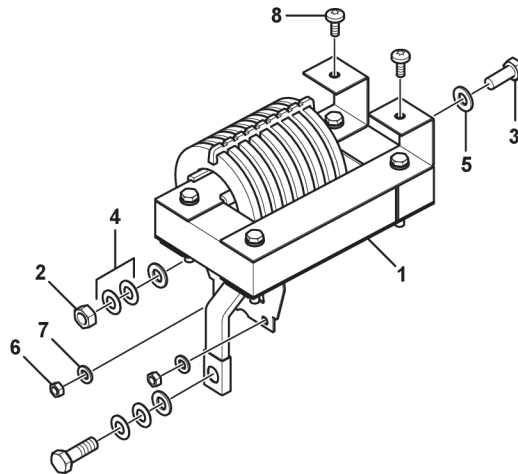
SPARE PARTS SETS:

Item	Qty.	Ordering no.	Denomination	Notes
		0464 505 880	Diode set	
	4		Diode	
	1		Thermal compound	
	8		Screw	M4×8
	8		Cup spring	D8/4×0.4



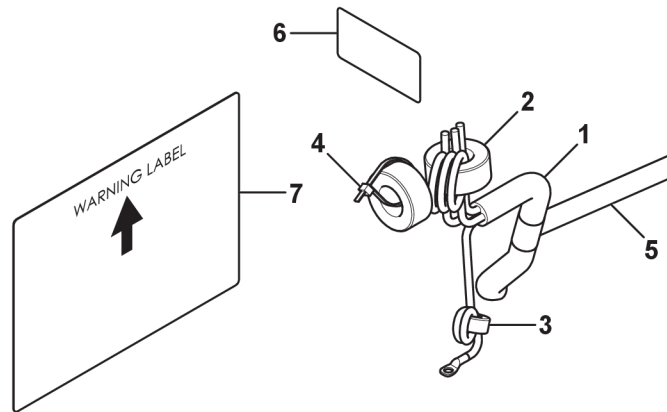
1.10 Secondary inductor module

Item	Qty	Ordering no.	Denomination	Notes	Component designation
1	1	0465 311 880	Secondary Inductor		15L1
2	1		Nut	M6M, M8 Steel 8.8	
3	2		Screw	M6S, M8×20	
4	4		Cup spring	16/8.2x0.9	
5	3		Washer	BRB, 8.4 FZB	
6	2		Nut	M6M, M5 Steel 8.8	
7	2		Washer	BRB, 5.3 FZB	
8	7		Screw	MRT, M5×8-8.8	



1.11 Market specific module

Item	Qty	Ordering no.	Denomination	Notes	Component designation
1	1	0465 516 895	Main cable	3 m	
2	2		Ring core	Ferrite	
3	1		Ring core	Ferrite	
4	1		Cable tie		





A WORLD OF PRODUCTS AND SOLUTIONS.



For contact information visit [esab.com](https://www.esab.com)

ESAB AB, Lindholmsallén 9, Box 8004, 402 77 Gothenburg, Sweden, Phone +46 (0) 31 50 90 00

manuals.esab.com

